

(IMS) INDUSTRIAL MODULAR SYSTEM TWO-DOOR ENCLOSURE WITH SLAVE DOOR DISCONNECT

Application

Can be bolted together in any desired multiple door arrangement. Designed to house electrical equipment and most standard type disconnects and circuit breakers, and provide degree of protection from dust, dirt, water and oil. For installation information, consult our installation manual at www.saginawcontrol.com.

Construction

- 0.104" carbon steel.
- Seams continuously welded and ground smooth.
- Flange trough collar around all sides of door opening.
- Heavy duty lifting eyes anchor into reinforced top.
- Body stiffeners in large enclosures for extra rigidity.
- Mounting holes provided in bottom of enclosure for installing plinth base or securing to the floor.
- Concealed hinges.
- Removable and interchangeable doors.
- Black zinc die cast coinproof/padlocking swing handle on main door, padlocking on all other doors.
- 3-point latching mechanism.
- Large removable print pocket on main door of disconnect enclosures.
- Mounting channels provided in top and bottom of enclosure.
- Pour in place oil and water resistant gasket.
- Mechanical interlock provided on two door disconnect enclosures and all enclosures are provided with provisions for system expansion.
- Ground stud on door and body.
- Gland plates provided in bottom of enclosure.

Accessories - See page 206-216

Finish

RAL 7035 powder coated finish.

Notes

SCE-IMSBK sold separately, required when bolting one enclosure to another.

IS3 Industry Standards

NEMA Type 3R, 12 & Type 13
UL Listed Type 3R & 12
CSA Type 3R & 12
IEC 60529 IP55

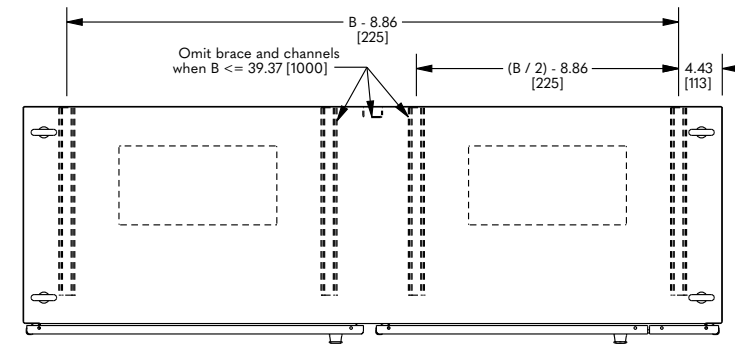
***To maintain Type 3R listing, drainage is required. Install equally rated drainage device or drill a 1/8 to 1/4 inch hole in the bottom center of the enclosure, approximately 1 inch from the right, and 1 inch from the left for drainage, use listed rain-tight or wet location hubs. Drip shield over the door is recommended for all outdoor applications.

Enclosure Product Code I1

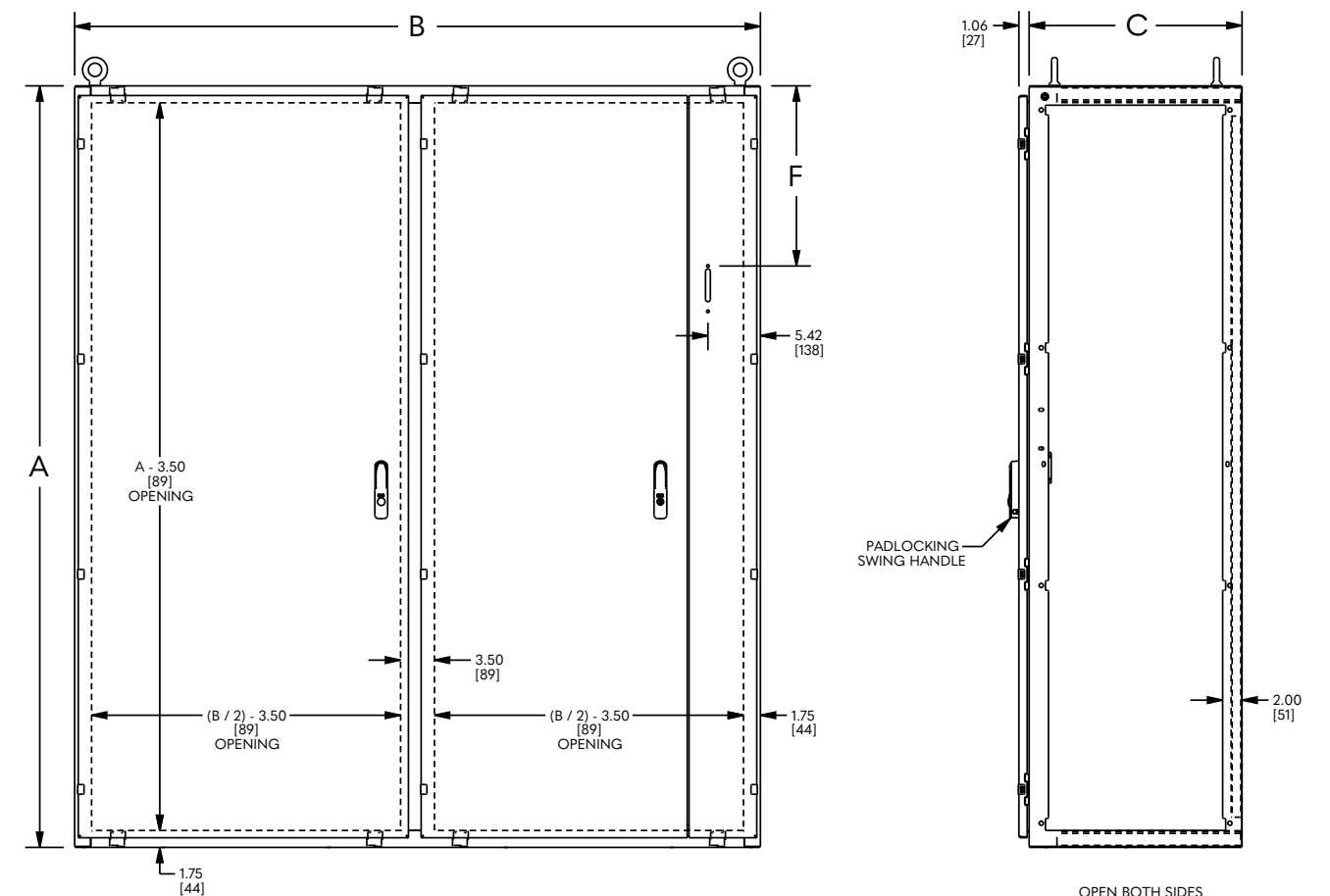
Catalog No.	Height (A)	Ref. mm Height (A)	Width (B)	Ref. mm Width (B)	Depth (C)	Ref. mm Depth (C)	Industry Standard
SCE-TD181605LG	70.87	1800	62.99	1600	18.00	500	IS3
SCE-TD181606LG	70.87	1800	62.99	1600	22.00	600	IS3
SCE-TD181805LG	70.87	1800	70.87	1800	18.00	500	IS3
SCE-TD181806LG	70.87	1800	70.87	1800	22.00	600	IS3
SCE-TD201605LG	78.74	2000	62.99	1600	18.00	500	IS3
SCE-TD201606LG	78.74	2000	62.99	1600	22.00	600	IS3
SCE-TD201805LG	78.74	2000	70.87	1800	18.00	500	IS3
SCE-TD201806LG	78.74	2000	70.87	1800	22.00	600	IS3



(IMS) INDUSTRIAL MODULAR SYSTEM TWO-DOOR ENCLOSURE WITH SLAVE DOOR DISCONNECT TECHNICAL DATA



DISCONNECT NOTES:
 F = 14.63 [372] when A = 70.87 [1800]
 F = 18.63 [473] when A = 78.74 [2000]



OPEN BOTH SIDES